

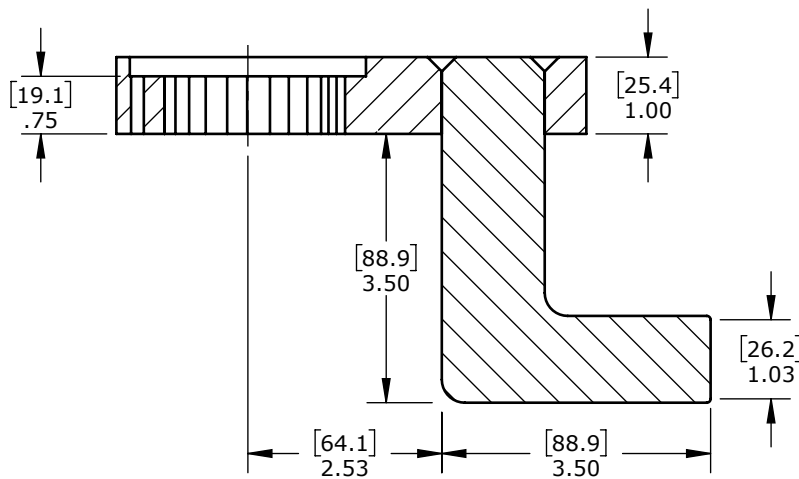
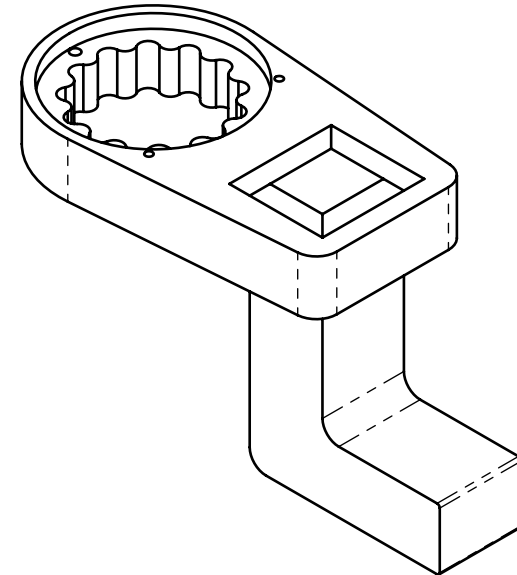
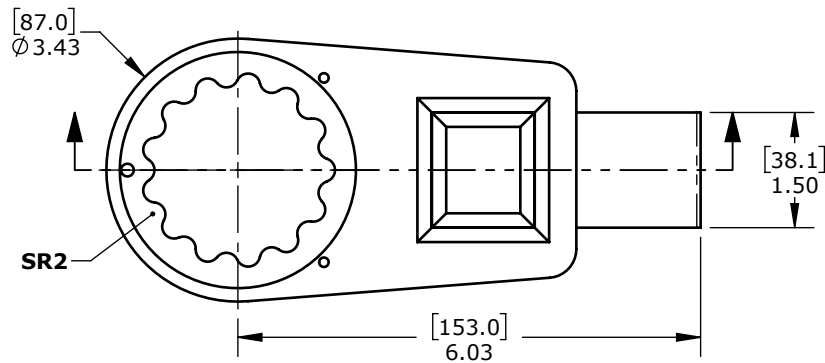


Product name:
Product number:

Standard 90° SR2 Reaction Arm
18250

REV: 09-2024

All dimensions are in Inches [Millimeters]



Suitable for: 25GX(-2), 34GX-M(-2), V-RAD 2500, V-RAD 3400-M, E-RAD BLU 2500 COMP, E-RAD BLU 3400-M COMP

DISCLAIMER: The data and illustrations in this document are accurate to the best of the company's knowledge. Information is subject to change without prior notice. For critical information, please verify its accuracy by contacting RAD Torque Systems. Unauthorized reproduction and distribution of this content are strictly prohibited.