

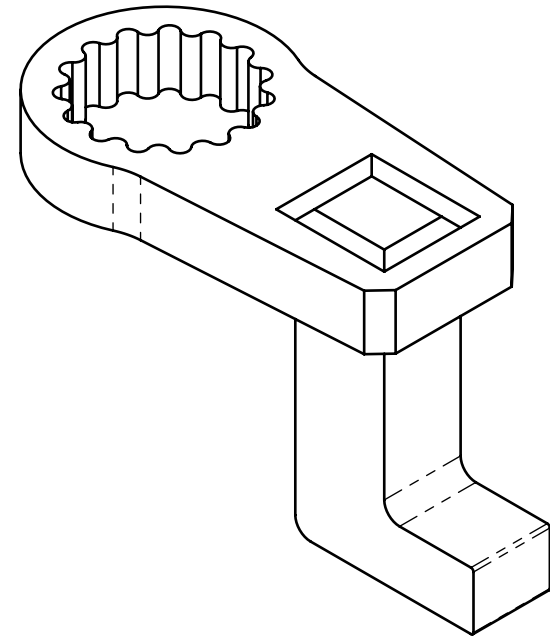
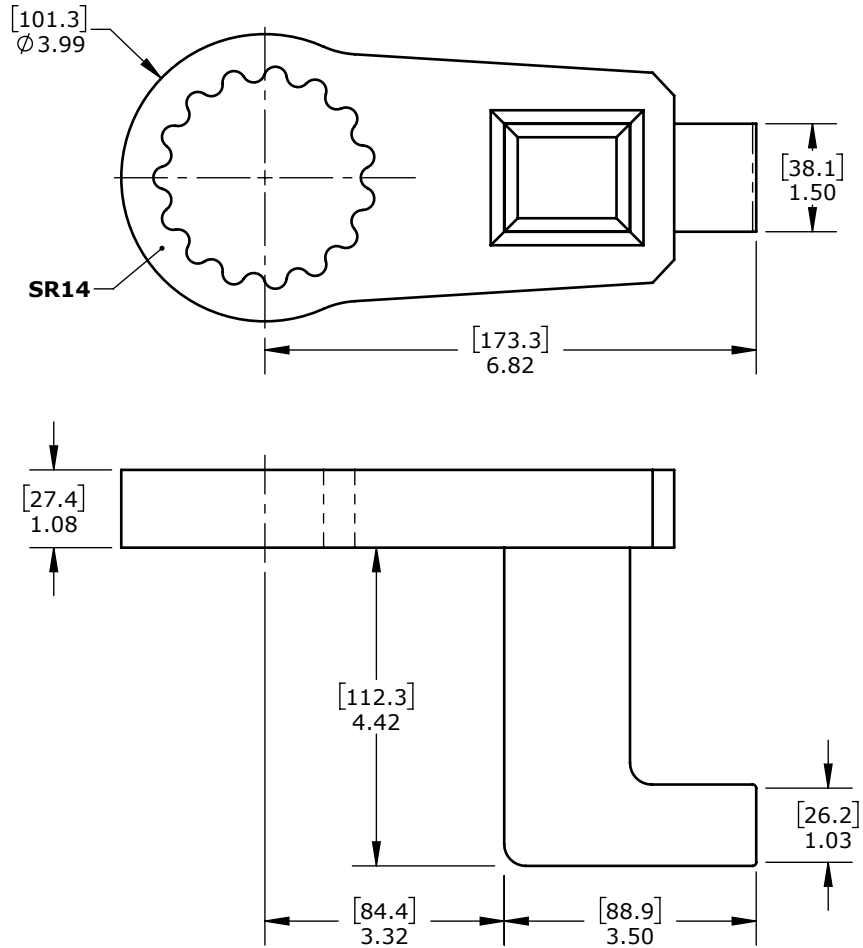


Product name:
Product number:

Standard 90° SR14 Reaction Arm
16368

REV: 09-2024

All dimensions are in Inches [Millimeters]



Suitable for: 60DX, 80DX-M, E-RAD BLU 6000, E-RAD BLU 8000-M

DISCLAIMER: The data and illustrations in this document are accurate to the best of the company's knowledge. Information is subject to change without prior notice. For critical information, please verify its accuracy by contacting RAD Torque Systems. Unauthorized reproduction and distribution of this content are strictly prohibited.